

BULK DENSITY APPARATUS

DESCRIPTION :

indo_ANUSHKA make **BULK DENSITY APPARATUS** is a simple pneumatically operated apparatus for laboratory use for bulk density measurement.

Designed to cost economical, it is provided with an arrangement to hold two cylindrical beakers of holding capacity upto 1.5 ltr volume each, mounted on a floating plate which is subjected to vibrations. It is provided with timer facility to time the vibrations and a frequency modulating knob to change the intensity of vibration if required.



MATERIAL OF CONSTRUCTION :

Body	- M.S. Powder coated
Vibration modulator	- Die cast Al. & plastic.
Solenoid	- Brass , 240V, A.C. rating
Vibrator	- Casting with MS internals.
Springs	- Spring Steel
Fastners	- M.S. plated
Timer	- 240V,50Hz, 0-60min on/off

INSTALLATION AND OPERATION:

The B.D. apparatus is to be supplied with a normal 240V, 50Hz, AC supply and 5kg/cm² to 7kg/cm² air supply.

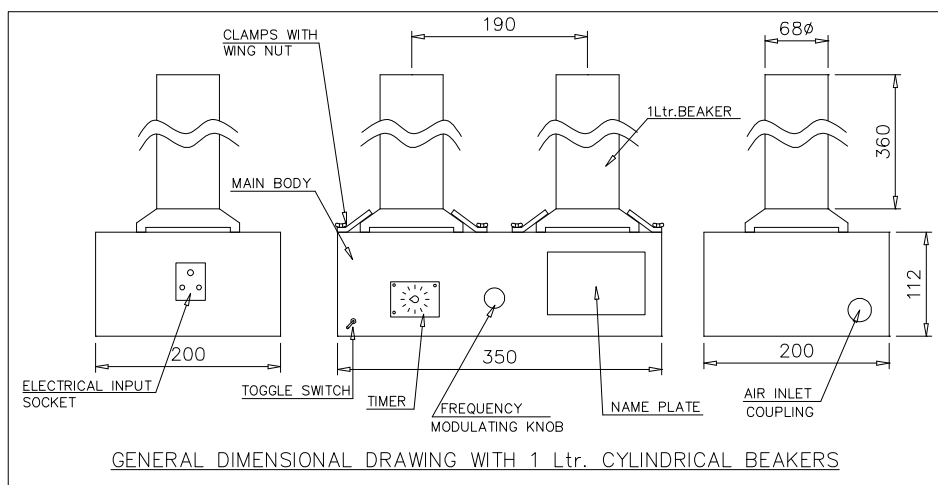
The cylindrical beaker filled with the material is to be clamped on the floating top plate with the help of clamps and wing nuts provided.

The timer is to be set as per requirement and the equipment then switched on.

The frequency of the vibration can modulated by the frequency modulation knob provided.

The vibrations automatically stop as per the timer set.

- Note : 1. Cylindrical beakers shown in the picture are not a part of the standard equipment.**
2. Body can be provided in SS on request.



Manufactured and Marketed by : Indo Anushka

Office : B5/4, Urmi Apartments, Fatehgunj, Baroda – 390002

Tel : 2795155, 3014044 Fax : 2782440 E-mail : info@indoanushka.com URL : www.indoanushka.com

Works : 693, GIDC, Makarpura, Baroda – 390002.